
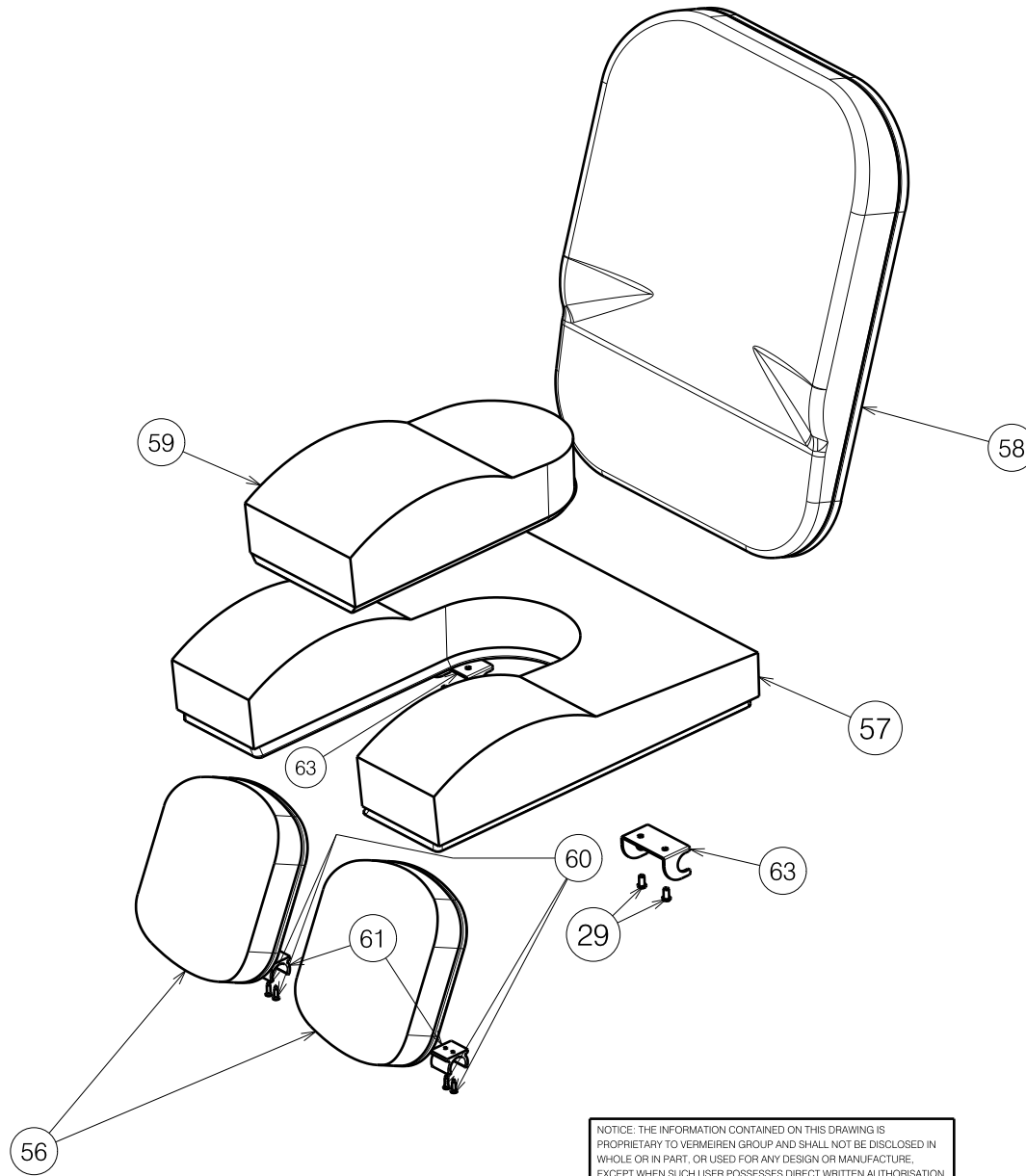


Detail A
Scale: 1:4

NOTICE: THE INFORMATION CONTAINED ON THIS DRAWING IS PROPRIETARY TO VERMEIREN GROUP AND SHALL NOT BE DISCLOSED IN WHOLE OR IN PART, OR USED FOR ANY DESIGN OR MANUFACTURE, EXCEPT WHEN SUCH USER POSSESSES DIRECT WRITTEN AUTHORISATION FROM VERMEIREN GROUP.


EXPLODED VIEW 9303				---
				Plan No.
				EC00133/F
Scale: 1:8	Drafted	Verified	Confirmed	
Date	09/11/2012	07/02/2025	07/02/2025	
Initials	Lydia	SD	PJ	



NOTICE: THE INFORMATION CONTAINED ON THIS DRAWING IS PROPRIETARY TO VERMEIREN GROUP AND SHALL NOT BE DISCLOSED IN WHOLE OR IN PART, OR USED FOR ANY DESIGN OR MANUFACTURE, EXCEPT WHEN SUCH USER POSSESSES DIRECT WRITTEN AUTHORISATION FROM VERMEIREN GROUP.


EXPLODED VIEW 9303

Scale:	1:8	Drafted	Verified	Confirmed
Date	09/11/2012	07/02/2025	07/02/2025	
Initials	Lydia	SD	PJ	

Plan No.
EC00133/F


Material											
No.	Plan	Article	Quantity	No.	Plan	Article	Quantity	No.	Plan	Article	Quantity
1	YP01941DP	18883..(39)	1	34	---	1001564	4	59	XP00480	2990507	1
	YP01942DP	18884..(43)	1	35	---	1001680	6	60	---	1005767	4
	YP01943DP	18885..(46)	1	36	---	1002141	2	61	XP00469	2990498	2
	YP01944DP	18886..(50)	1	37	---	1006999	4	62	YP02062	1892404	2
	YP01945DP	18887..(53)	1	38	---	1991017	2	63	XP01978	1890154	2
2	YP01999	18902..(39)	1	39	---	1008492	2	64	Y012695	1672300	2
	YP01437	18630..(43)	1	40	X001743	1459300	1	65	---	1001682	4
	YP02000	18903..(46)	1	41	X002130	1992421	1	66	---	1001554	2
	YP02001	18904..(50)	1	42	X002131	1992422	1	67	X003890	1901095	2
	YP02002	18905..(53)	1	43	---	1005641	2	68	---	1001572	4
3	YP01966	18895..	1	44	X002163	1488100	2	69	---	T001025	1
4	YP01965	18894..	1	45	X001742	1459200	1	70	---	T001002	2
5	XP00404	1889600	2	46	X002132	1992423	2	71	---	U000025	1
6	YP01951	1890001	2	47	---	1992597	2	72	---	U000233	1
7	X000582	1005740	2	48	XP00470	2990499	2	73	---	W200861	1
8	X002679	1994452	2	49	X002169	1992791	2	74	---	W620117	1
9	YP01959	18888..	1	50	YP02061	1892300	2	75	---	1901067	1
10	YP01946	18889..	1	51	XP00095	2990045	2	76	---	U000132	2
11	XP00468	2990496	2	52	---	1921702	2	77	---	1007000	4
12	---	1990648	6	53	---	1009318	4	78	---	1006111	2
13	---	1003022	4	54	Y004359	F000181	4	* Not depicted			
14	---	1001598	4	55	---	1921703	2				
15	X003573	1004818	2	56	XP00499	2990528	2				
16	YP01968	1889800	2	57	XP00481	2990508 (39)	1				
17	---	1001143	2		XP00482	2990509 (43)	1				
18	Y003220	14564..	2		XP00483	2990510 (46)	1				
19	Y003225	1456600	2		XP00484	2990511 (50)	1				
20	YP01259	16722..	2		XP00485	2990512 (53)	1				
21	---	1008942	2	58	XP00486	2990513 (39)	1				
22	X003889	1901094	2		XP00487	2990514 (43)	1				
23	Y012670	1672404	2		XP00488	2990515 (46)	1				
24	---	1001669	2		XP00489	2990516 (50)	1				
25	---	1902842	2		XP00490	2990517 (53)	1				
26	---	1001530	6								
27	---	1903394	2								
28	---	1000044	1								
29	---	2990070	8								
* 30	X000862	1006463	2								
31	---	2990458	2								
32	X003293	1001626	2								
33	---	1006057	4								

NOTICE: THE INFORMATION CONTAINED ON THIS DRAWING IS PROPRIETARY TO VERMEIREN GROUP AND SHALL NOT BE DISCLOSED IN WHOLE OR IN PART, OR USED FOR ANY DESIGN OR MANUFACTURE, EXCEPT WHEN SUCH USER POSSESSES DIRECT WRITTEN AUTHORISATION FROM VERMEIREN GROUP.

EXPLODED VIEW 9303				---
				Plan No. EC00133/F
Scale: 1:8	Drafted	Verified	Confirmed	
Date	09/11/2012	07/02/2025	07/02/2025	
Initials	Lydia	SD	PJ	