
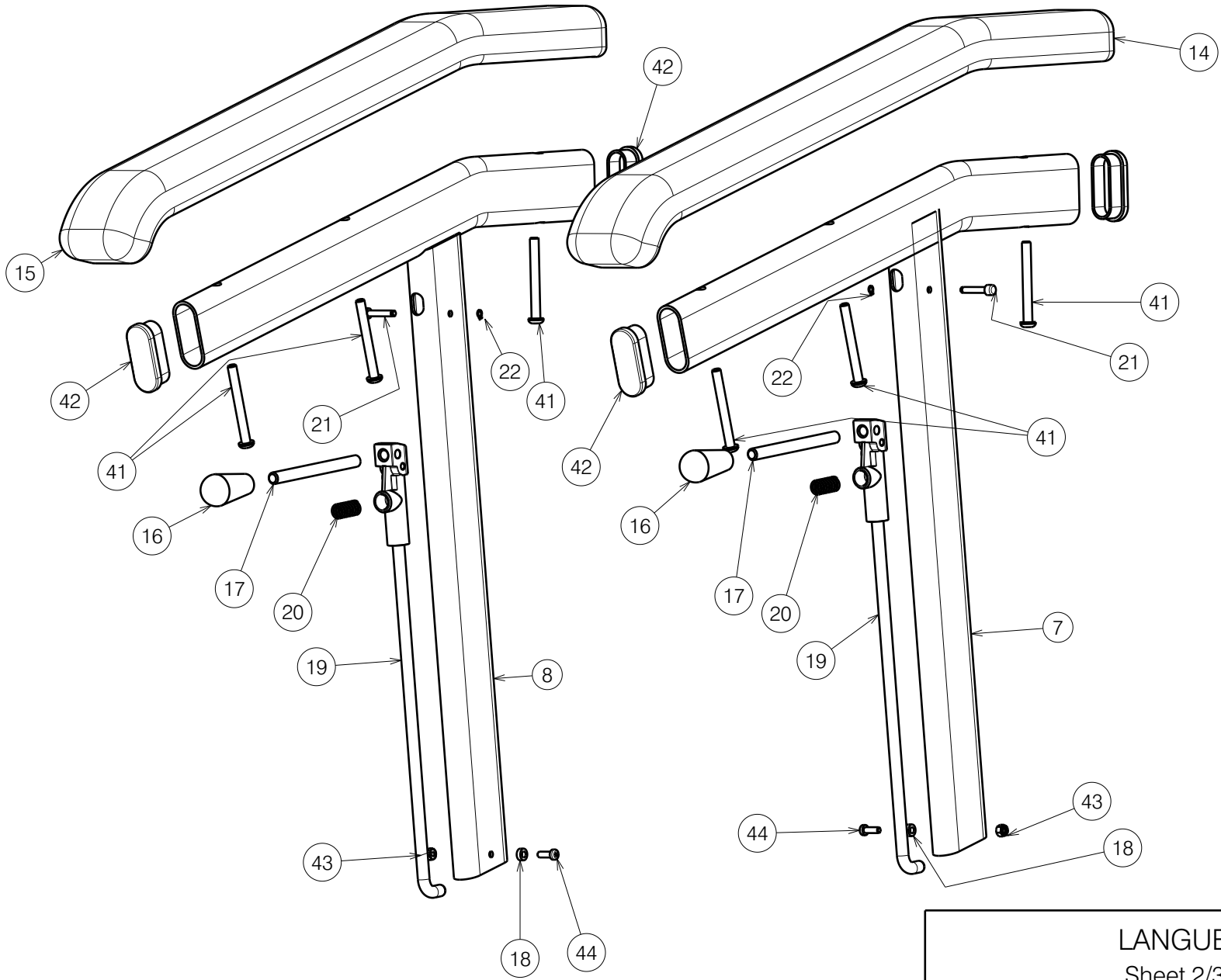


LANGUEDOC XXL				Plan Number
Sheet 1/3 - FRAME				E000608/H
Scale: 1:9	Drafted	Verified	Confirmed	
Date	08/12/2009	10/01/2025	10/01/2025	
Initials	DDR	SDR	AZ	




LANGUEDOC XXL				Plan Number
Sheet 2/3 - ARMRESTS				E000608/H
Scale: 1:4	Drafted	Verified	Confirmed	
Date	08/12/2009	10/01/2025	10/01/2025	
Initials	DDR	SDR	AZ	

Bill of material								
No.	Plan	Article	Quantity		No.	Plan	Article	Quantity
1	Backrest Blue	2997503	1		27	M10 DIN985	1001683	2
	Backrest Lavender	2997504	1		28	D21xD10,5x2 DIN125	1001557	2
	Backrest Brown	2997505	1		29	Pin D8x45	1993594	1
	Backrest Black	2997506	1		30	Gas Spring 850N	1009800	1
	Backrest Grey	2997507	1		31	D100(Black)NoBrake	1921704	2
2	Y016044	1730165	1		32	D100(Black)Brake	1921705	2
3	Y015961	1728065	1		33	---	1001680	1
4	Y012249	1667265	2		34	---	1007000	8
5	Y015193	1715065	1		35	---	1001670	8
6	Y015536	1716200	1		36	---	1991373	2
7	Y016024	1725101	1		37	---	1001498	2
8	Y016025	1725201	1		38	M10x25 DIN933	1001450	2
9	X000319	G080200	1		39	---	---	---
10	X001296	G065155	1		40	---	1008739	4
11	X005930 (Black)	1916350	4		41	---	1006997	7
12	X004485 (Black)	1903994	2		42	---	1990980	4
13	X002480	1993793	2		43	---	1001678	2
14	XP03211 (Black)	2996925	1		44	---	1900952	2
15	XP03212 (Black)	2996926	1		45**	---	1003022	2
16	X001471 (Black)	1001143	2					
17	XP00176	1824100	2					
18	XP00192	1826100	2					
19	XP00208	2990139	2					
20	XP00179	1824400	2					
21	XP00180	1824500	2					
22	XP00297	2990125	2					
23	P00066195	2679565	2					
24	Cap D25	1001608	2					
25	M12 DIN985	1001684	2					
26	M12x100 DIN912	1993285	2					

* No. 23, 27, 28, 38 - do not use with B10 option,

** Not mounted, delivered separately.

LANGUEDOC XXL				Plan Number
Sheet 3/3 - BILL OF MATERIAL				E000608/H
Scale: ---	Drafted	Verified	Confirmed	
Date	08/12/2009	10/01/2025	10/01/2025	
Initials	DDR	SDR	AZ	