

Detail View B (1:4)

Detail View A (1:4)

View C

NOTICE: THE INFORMATION CONTAINED ON THIS DRAWING IS PROPRIETARY TO VERMEIREN GROUP AND SHALL NOT BE DISCLOSED IN WHOLE OR IN PART, OR USED FOR ANY DESIGN OR MANUFACTURE, EXCEPT WHEN SUCH USER POSSESSES DIRECT WRITTEN AUTHORISATION FROM VERMEIREN GROUP.

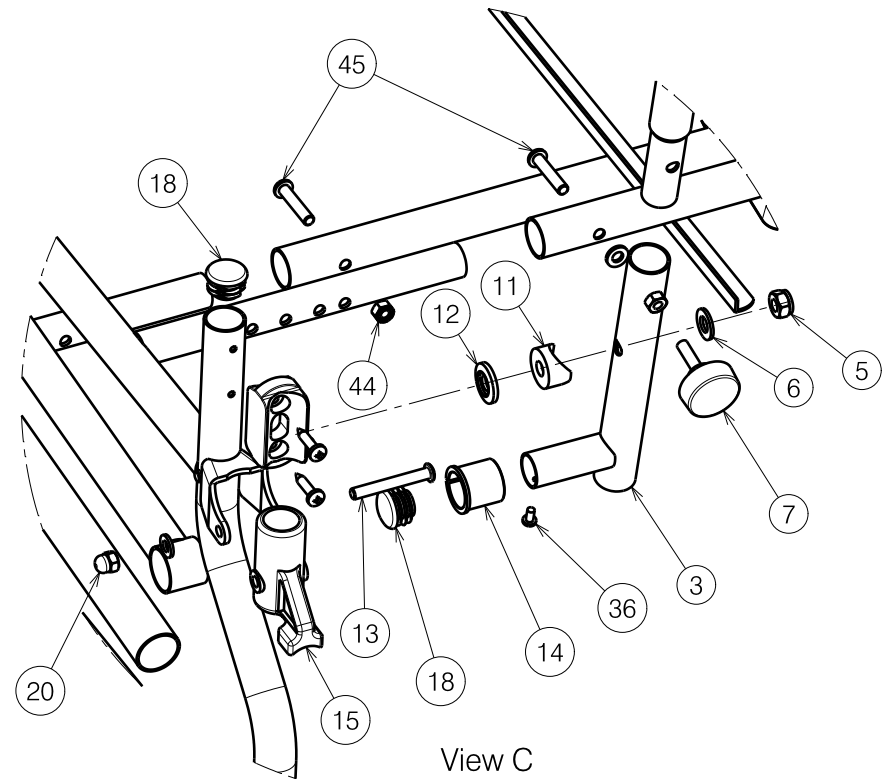
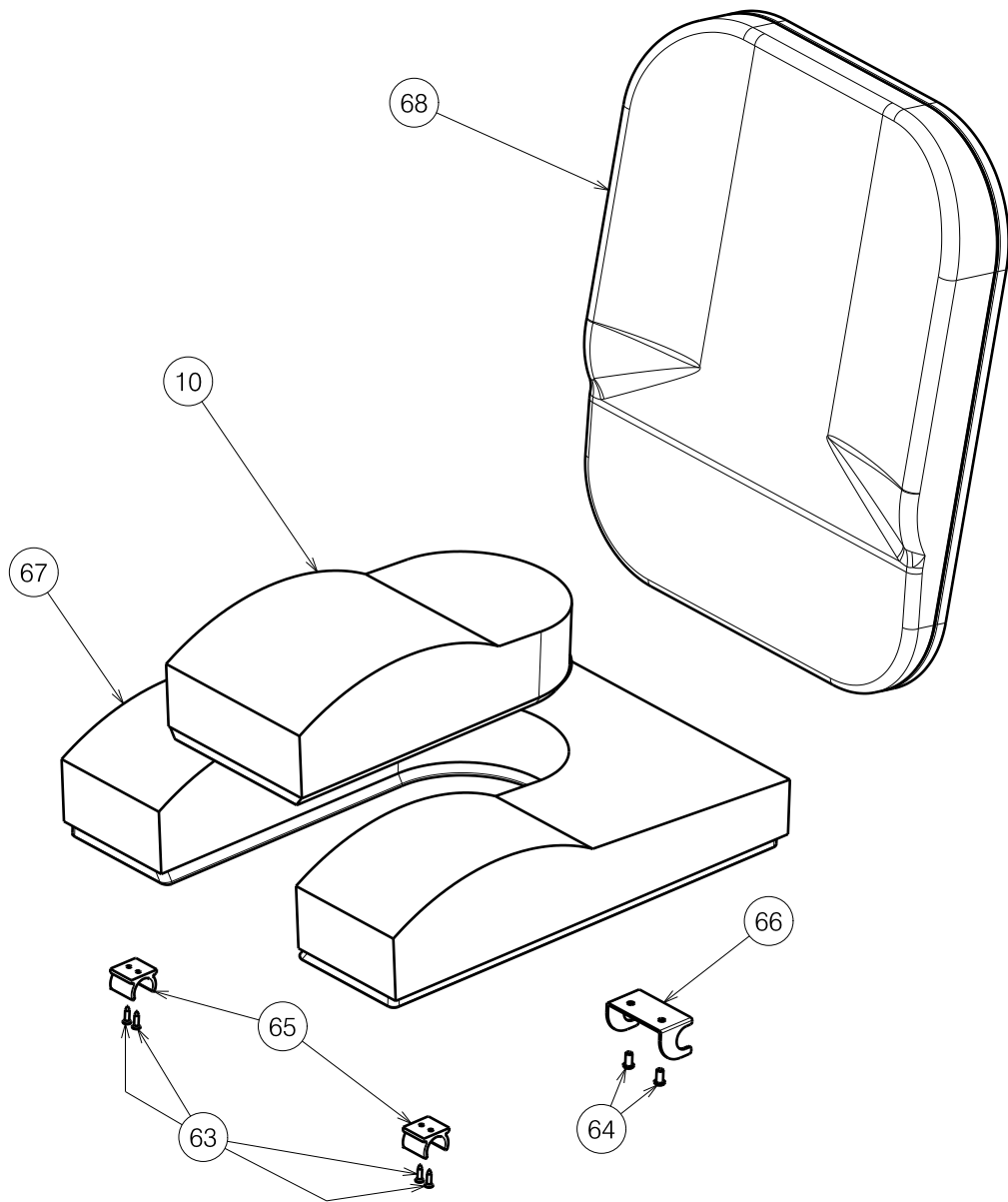
3999113

Plan No.  
EC00470/C

9303A EXPLODED VIEW

Scale:	1:8	Drafted	Verified	Confirmed
Date	10/10/2019	10/02/2025	10/02/2025	
Initials	NY	SD	PJ	





NOTICE: THE INFORMATION CONTAINED ON THIS DRAWING IS PROPRIETARY TO VERMEIREN GROUP AND SHALL NOT BE DISCLOSED IN WHOLE OR IN PART, OR USED FOR ANY DESIGN OR MANUFACTURE, EXCEPT WHEN SUCH USER POSSESSES DIRECT WRITTEN AUTHORISATION FROM VERMEIREN GROUP.

3999113

9303A EXPLODED VIEW

Plan No.  
EC00470/C

Scale:	1:4	Drafted	Verified	Confirmed
Date	10/10/2019	10/02/2025	10/02/2025	
Initials	NY	SD	PJ	



Bill of Material			
No.	Plan	Article	Quantity
1	YC00691	1C265.. (39)	1
	YC00694	1C269.. (43)	1
	YC00696	1C271 (46 50 53)	1
2	YC00692	1C266.. (39)	1
	YC00693	1C272.. (43)	1
	YC00695	1C270 (46 50 53)	1
3	YP01959	18888..	1
4	YP01946	18889..	1
5	X001016	1001682	4
6	M8 DIN126	1001554	2
7	M6x25	1903394	2
8	D4x35	1003022	4
9	YP01999	18902.. (39)	1
	YP01437	18630.. (43)	1
	YP02000	18903.. (46)	1
	YP02001	18904.. (50)	1
	YP02002	18905.. (53)	1
10	XP00480	2990507	1
11	X000862	1006463	2
12	XP00470	2990499	2
13	M6x45 ISO7380	1991017	2
14	XP00468	2990496	2
15	X000582	1005740	2
16	D4.8x22 DIN7981	2990070	4
17	X002679	1994452	2
18	D22	1990648	6
19	M6 DIN125	1001564	12
20	M6 DIN986	1008492	2
21	YC04095	1C817..	1
22	---	3990521	1
23	XP00095	2990045	2
24	X001471	1001143	2
25	YP02061	1892300	2


Bill of Material			
No.	Plan	Article	Quantity
26	M6x35 ISO7380	1006057	2
27	X001474	1005641	2
28	Y003220	14564..	2
29	---	1921702	2
30	M12 DIN127	1001572	4
31	M12x30 DIN912	1009318	4
32	Y012159	16722..	2
33	X003890	1901095	2
34	YP01968	1889800	2
35	D16	1001598	4
36	D3.9x9.5 DIN7981	1001530	6
37	X003573	1004818	2
38	Y012670	1672404	2
35	D16	1001598	4
36	D3.9x9.5 DIN7981	1001530	6
37	X003573	1004818	2
38	Y012670	1672404	2
39	M6x20 ISO7380	1006999	4
40	D8	1002141	2
41	Y004359	F000181	4
42	X001743	1459300	1
43	YP01965	18894..	1
44	M6 DIN985	1001680	12
45	M6x30 ISO7380	1009588	6
46	Y003225	1456600	2
47	Y012695	1672300	2
48	XP00574	2990703 (39)	2
	XP00499	2990528 (43 46 50 53)	2

Bill of Material			
No.	Plan	Article	Quantity
49	YP02062	1892404	2
50	X001742	1459200	1
51	---	3990520	1
52	XP00404	1889600	2
53	M6x40 ISO7380	1006111	2
54	M8x10 DIN916	1008942	2
55	X003889	1901094	2
56	M5 DIN934	1001669	2
57	M5x40 ISO7380	1902842	2
58	X003293	1001626	2
59	YP01966	18895..	1
60	M8x16	2990458	2
61	YP01951	1890000	2
62	---	1921703	2
63	D3.9x16 DIN7982	1005767	4
64		1007000	4
65	XP00469	2990498	2
66	YP01978	1890154	2
67	XP00481	2990508 (39)	1
	XP00482	2990509 (43)	1
	XP00483	2990510 (46)	1
	XP00484	2990511 (50)	1
	XP00485	2990512 (53)	1
68	XP00486	2990513 (39)	1
	XP00487	2990514 (43)	1
	XP00488	2990515 (46)	1
	XP00489	2990516 (50)	1
	XP00490	2990517 (53)	1
69	YC04096	1C818..	1

NOTICE: THE INFORMATION CONTAINED ON THIS DRAWING IS PROPRIETARY TO VERMEIREN GROUP AND SHALL NOT BE DISCLOSED IN WHOLE OR IN PART, OR USED FOR ANY DESIGN OR MANUFACTURE, EXCEPT WHEN SUCH USER POSSESSES DIRECT WRITTEN AUTHORISATION FROM VERMEIREN GROUP.

3999113

Plan No.  
EC00470/C



<b>9303A EXPLODED VIEW</b>			
Scale: 1:8	Drafted	Verified	Confirmed
Date	10/10/2019	10/02/2025	10/02/2025
Initials	NY	SD	PJ